

SAFEGUARDS AND WARNINGS

⚠ WARNING

Installation and servicing is only to be carried out by suitably qualified and experienced personnel.

This product is designed for use in general purpose CCTV applications and has no other purpose.

This product is designed to operate in a class 2 indoor general environment and must not be installed where exposed to rain or moisture.

This product must be powered from a class 2 isolated power source as supplied.

CERTIFICATIONS

This product meets the requirements of the following standards:

Electromagnetic Compatibility

EN55022:1995 Limits and methods of measurement of radio disturbance characteristics of information technology

EN50082-1:1992 Electromagnetic compatibility- Generic Immunity standard

Comprising:

IEC 801-2:1991 Electrostatic discharge

IEC 801-3:1984 Radiated electromagnetic fields

IEC 801-4:1988 Fast transient bursts

Safety

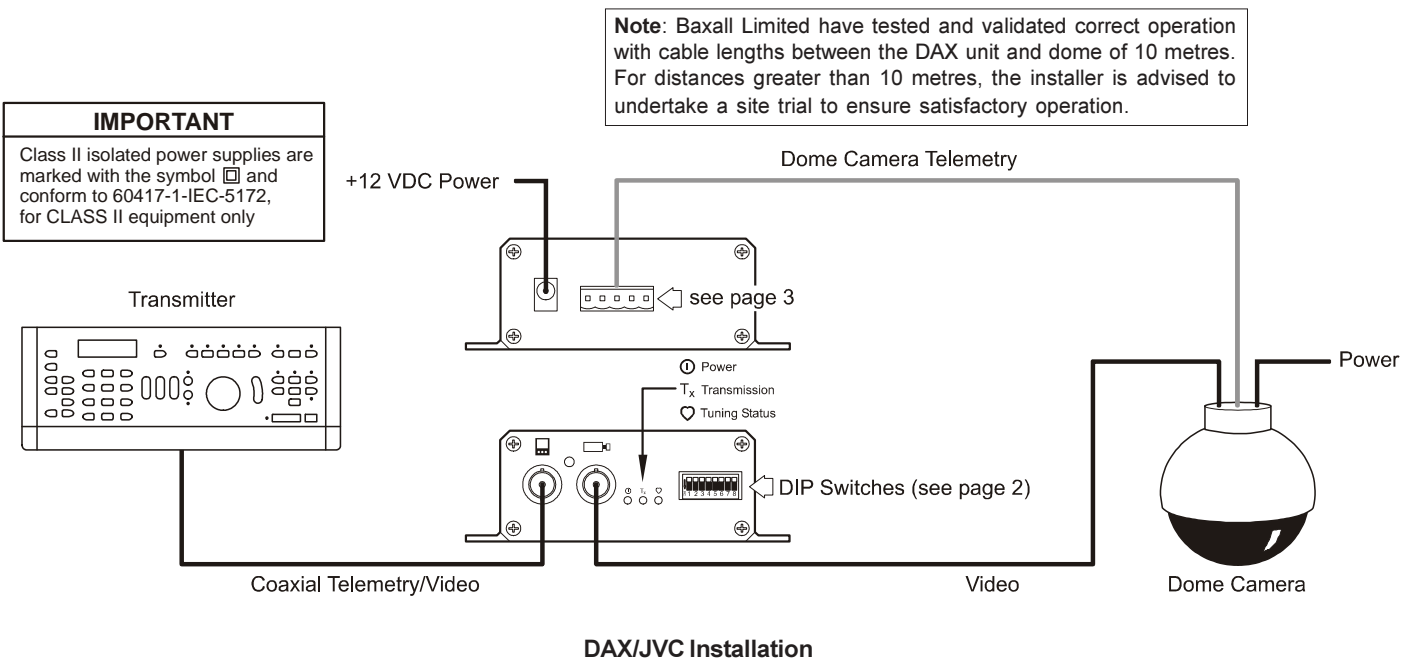
EN 60950:1992 Safety of information technology equipment, including electrical business equipment

DECLARATIONS

The manufacturer declares that the DAX unit supplied with this manual is compliant with the EMC directive 89/336 EEC and the low voltage directive 73/23/EEC and 93/68/EEC.

DESCRIPTION

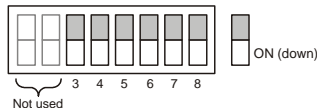
The DAX/JVC converts Baxall coaxial telemetry into Dome telemetry. It connects between the transmitter and dome camera in the coaxial line as shown below. The DAX/JVC requires a +12 VDC or 24 VAC class 2 isolated power supply.



SWITCH SETTINGS

Your DAX/JVC is compatible with the JVC Dome cameras TK-C675 and TK-C675B. DIP switches are used to set various modes as shown below:

- | | |
|---|--|
| Switch 3 ON: TK-C675 (4 speed, no menu access) | Switch 3 OFF: TK-C675B (8 speed, menu access) |
| Switch 4 ON: Auto-Focus on Pan/Tilt stop | Switch 4 OFF: No Auto-Focus on Pan/Tilt stop |
| Switch 5 ON: For transmitters supporting 16 presets | Switch 5 OFF: See Storing and Recalling Presets below |
| Switch 6 ON: AGC level 20dB | Switch 6 OFF: AGC level 10dB |
| Switch 7 ON: Auto-Iris disabled | Switch 7 OFF: Auto-Iris enabled |
| Switch 8 ON: Dome will autopan | Switch 8 OFF: Dome will cycle (pan and tilt) through presets 1 to 16 |



STORING AND RECALLING PRESETS

Storing a Preset

ZTX6

1. Enter the preset number*.
2. Press the Preset (ⓧ) key.
3. Position the dome using the telemetry keys.
4. Press the Function (ⓕ) key
5. Enter the preset number*.
6. Press the Preset (ⓧ) key.

ZMX

1. Press the Preset (ⓧ) key.
2. Enter the preset number*.
3. Position the dome using the telemetry keys.
4. Press the Function (ⓕ) key, then the Preset (ⓧ) key.
5. Enter the preset number*.

Recalling a Preset

ZTX6

1. Enter the preset number*.
2. Press the Preset (ⓧ) key.

ZMX

1. Press the Preset (ⓧ) key.
2. Enter the preset number*.

Refer to the Dome Camera manual for information on how to store Autopan positions.

* Preset numbers can be between 1 and 16. To enter the number for a preset that is between 1 and 8, make sure the Wipe (Ⓢ) key is set to OFF and use the numbers 1 to 8 on the keyboard. To enter the number for a preset that is between 9 and 16, make sure the Wipe (Ⓢ) key is set to ON and use the numbers 1 to 8 on the keyboard.

EXTENDED FEATURES

Auto-Focus

When either of the zoom keys are released, an auto-focus will be performed.

180° Pan Flip

When the dome camera reaches the full tilt down position, it will automatically perform a 180° pan flip.

Auto-Iris

Fifteen seconds after the last iris key was released the camera will revert back to auto-iris mode.

TK-C675B only

To activate the menu system, set Camera Power (ⓐ) key to ON and select any preset. To navigate through the menus, use the Pan and Tilt controls as required. To move down one menu level, press the Wash (Ⓢ) key, To move up one menu level, use any of the preset keys. When all menu operations have been completed, ensure that the Camera Power (ⓐ) key is set to OFF.

INSTALLATION

All video is 1 V pk-pk composite via 75 ohm video coaxial cable and BNC connectors. The connections to your DAX/JVC are shown on the case and in the schematic overleaf. The camera ID number should be set to one, and point-to-point Simplex mode (see your camera instructions). For best results from the auto-tune feature ensure that a telemetry signal is being sent by the transmitter immediately after your DAX/JVC is powered up.

- Connect the +12 VDC and the Dome Camera's RS485 extension lead to the connectors on the Interface Unit according to the schematic.
- Connect the Interface Module to your transmitter and to your dome camera according to the schematic.
- Since the DAX/JVC has internal termination, ensure that the dome camera is terminated i.e. termination ON.

SPECIFICATION

Inputs: Baxall coaxial telemetry as defined by the Baxall coaxial telemetry specification, +12 VDC.

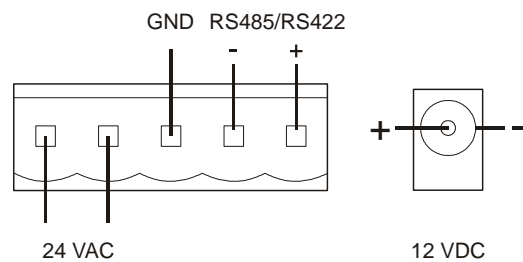
Output: Dome Camera telemetry.

Power: nom. +12 VDC (min. 8.0 VDC max. 24 VDC) class 2 isolated, 50mA max. (0.6 Watts); 24 VAC.

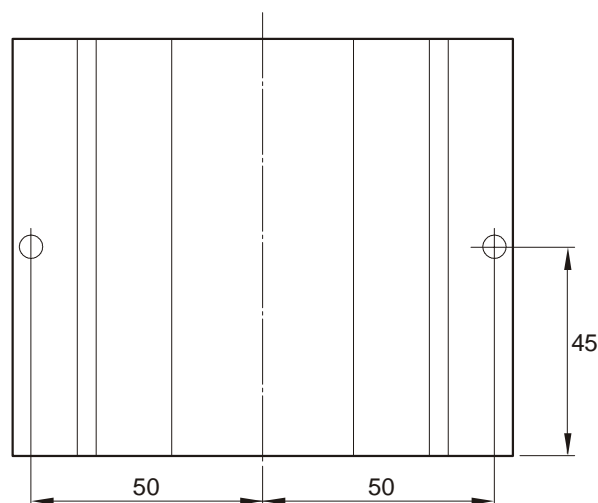
Power Supply: 230 VAC to +12 VDC class 2. Max 200mA.

Dimensions: 115 x 107 x 37 mm. (WxDxH)

Temperature limits: Only use this product between the temperatures of -10° and +40° C.

CONNECTOR PIN-OUT

IMPORTANT: The 24 VAC power supply must be a class 2 type. Do not make any connection to ground.

CONNECTORS

Baxall Limited, Stockport, England. Visit our Web site: <http://www.baxall.com>

Baxall Limited reserve the right to make changes to the product and specification of the product without prior notice to the customer.